

PATLITE®

New Frontiers for Safety, Security and Comfort.

Innovative LED Modular Style Signal Tower

LU5/LU7 series



LU5 series
50mm dia.

LU7 series
70mm dia.

PATLITE Corporation

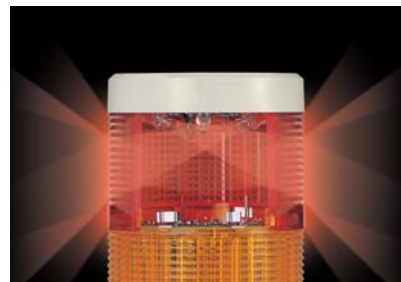
www.patlite.co.jp/int/

*PATLITE's LU5 & LU7 series signal towers deliver the advantages of superior LED technology, innovative design, and the convenience of modular assembly with **only 9 basic modular components** to meet just about every indicating need.*



Ultra Bright LEDs combined with an Innovative Prism Lens Design

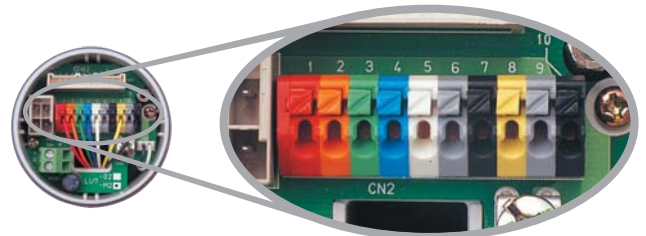
Allows the light emitted from the signal tower to be seen from greater distances. This also allows for use of a smaller diameter light, reducing the cost of the light tower.



Ultra bright LED

Color-coordinated & Spring-loaded Terminal Block

Makes wiring easy and more reliable compared to screw-type connections. Each color corresponds to the color of the LED module to be used.



Wiring Terminals

Two, User-selectable, Alarms Integrated in the Base Module

Allows sound to enhance the critical nature of a visual signal, bringing more attention to certain conditions. Also, since the modules are built into the base, up to 5 LED modules can be used on the light tower.



Delivers Sounds up to 90 dB at 1 m.

Alarm can be easily heard over ambient noise.



Type 4, 4X, 13

(LU7 Only)

IP65
Environment Protection



(LU7 Only)

Modular design

Makes it easy to configure and assemble a light tower and modules can be put away for when shipping the machine reducing the cost of shipping and the shipping crate.



Modular Construction

O-rings

Seal out liquids so that the tower achieves an IP-65 rating allowing the tower to be used in wet conditions.



IP65 Protection

NEW

Short Body



LU7-02S

Ivory White



LU7-02SU

Silver Color



LU7-02SK

Black

Standard Body



LU7-02U-M2U

Silver Color



LU7-02K-M2K

Black

Wall Mount Bracket



SZ-018

Ivory White



SZ-018U

Silver Color



SZ-018K

Black

Magnetic Bracket

(With M16 Cable Grand)



SZ-MB5070 **To be released**






Fit to the short and standard Bodies

LU5 series

50mm diameter



Innovative LED Modular Style Signal Tower

LED Units

| |  |  |  |  |  |
|-----------------------------|---|---|--|---|---|
| Model | LU5-E-R | LU5-E-Y | LU5-E-G | LU5-E-B | LU5-E-C |
| Unit color | LED unit RED | LED unit AMBER | LED unit GREEN | LED unit BLUE | LED unit CLEAR/WHITE |
| Rated voltage | 24V DC | | | | |
| Operating voltage range | Rated voltage $\pm 10\%$ (21.6~26.4V) | | | | |
| Current/Power consumption | 52mA/1.25W | | 42mA/1.0W | | |
| Operating temperature range | -30°C~+60°C | | | | |
| Mass | 44g $\pm 10\%$ | | | | |

※ Operates with base units, LU5-02 and LU5-02FB, listed below.

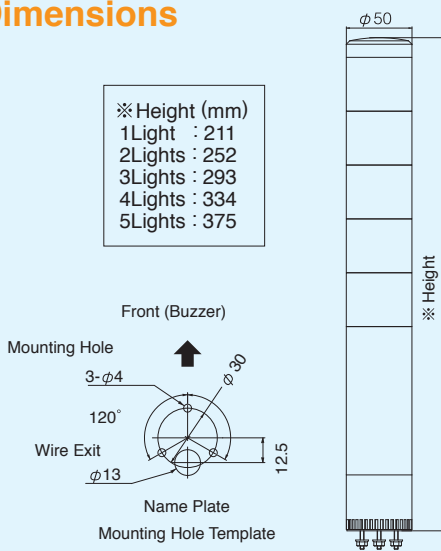
Base Units

| Model | LU5-02 | LU5-02FB | Unit Color Variation |
|-----------------------------|---------------------------------------|---|---|
| Rated voltage | 24V DC | | Ivory White Silver Color |
| Operating voltage range | Rated voltage $\pm 10\%$ (21.6~26.4V) | | NEW |
| Buzzer | — | *Buzzer 1 **Buzzer 2 |   |
| Current consumption | — | 50 ± 10 mA 24 ± 10 mA | LU5-02 LU5-02U |
| Power consumption | — | 1.2 ± 0.25 W 0.58 ± 0.25 W | LU5-02FB LU5-02UFB |
| Sound level | — | 85 ± 5 dB (at 1m) | |
| Flashing cycle | — | 60 ± 12 flashes per minute | |
| Operating temperature range | -30°C~+60°C | | |
| Mounting direction | Upright, indoor only | | |
| Protection rating | IP65 | | |
| Mass | 182g $\pm 10\%$ | 200g $\pm 10\%$ | |
| Open Collector | PNP/NPN | | |

※ *Buzzer 1: Continuous sound

**Buzzer 2: Intermittent sound

Dimensions

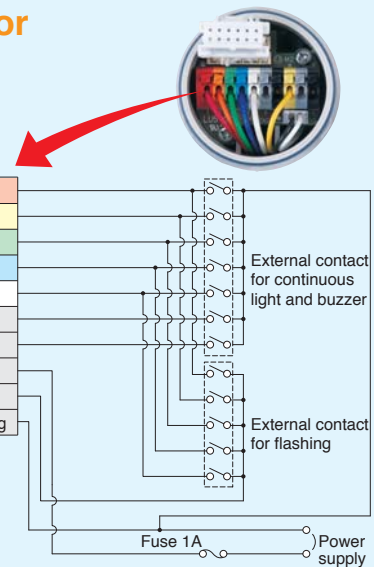


Wiring example for Base unit

LU5-02FB
24V DC

| | | |
|-------|--------|---------------------------|
| No.1 | Red | LED unit Red |
| No.2 | Orange | LED unit Amber |
| No.3 | Green | LED unit Green |
| No.4 | Blue | LED unit Blue |
| No.5 | White | LED unit Clear/White |
| No.6 | Gray | Buzzer 1 |
| No.7 | Black | Buzzer 2 |
| No.8 | Yellow | COM |
| No.9 | Gray | Flashing COM |
| No.10 | Black | Power supply for flashing |

<Recommended electric wire>
Solid wire : φ 0.8 - φ 1.2mm
Stranded wire : 0.3-1.25mm² (AWG 22-18)



External contact capacity

| Voltage | | 24V DC | |
|-----------------------|---------------------|---------------------------------------|-------------------------------|
| LED unit [1-Light] | Current consumption | Red·Amber : 52mA | Green·Blue·Clear/White : 42mA |
| | Contact capacity | $I_s \geq 100$ mA, $V_s \geq 35$ V AC | |
| Buzzer | Current consumption | 50mA | |
| | Inrush current | 100mA | |
| Power supply | Contact capacity | $I_s \geq 100$ mA, $V_s \geq 35$ V AC | |
| | Current consumption | 360mA | |
| Power supply | Contact capacity | $I_s \geq 500$ mA | |
| | Current consumption | $V_s \geq 35$ V AC | |

※ I_s : Current capacity V_s : Withstand voltage

External contact fuse

| Voltage | Amperage rating of fuse |
|-----------|-------------------------|
| All model | 250V 1A |

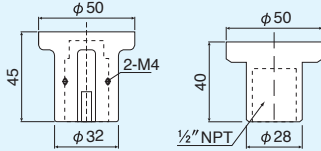
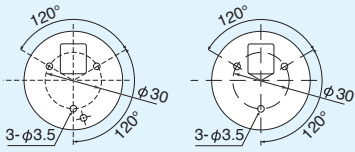
※ Use a fuse conforming to the rated current of the machine which you install product.
(Example: UL class J type fuse)

Optional Parts

Upper Bracket

SZ-60-U
(For $\phi 21.7\text{mm}$ Pole)

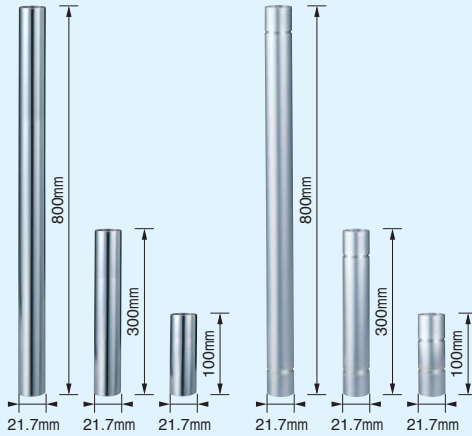
SZ-60NPT
(For $\frac{1}{2}''$ NPT Pole)



Pole

Steel Pole

Aluminum Pole



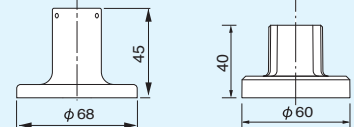
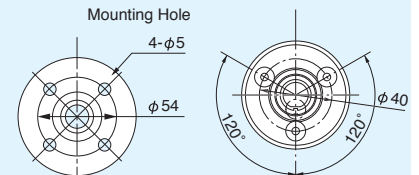
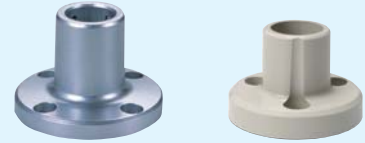
800mm : **POLE-800S21**
300mm : **POLE-300S21**
100mm : **POLE-100S21**

800mm : **POLE-800A21**
300mm : **POLE-300A21**
100mm : **POLE-100A21**

Mount Bracket

SZ-016A
(For $\phi 21.7\text{mm}$ Pole)

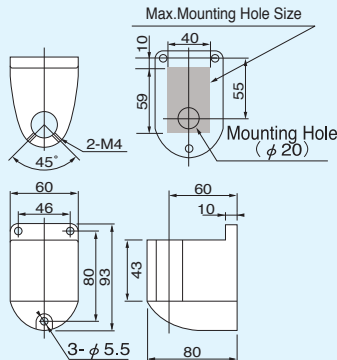
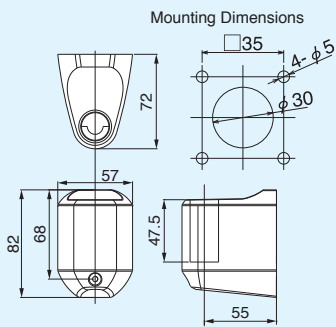
SZ-70-B
(For $\phi 21.7\text{mm}$ Aluminum Pole Only)



Wall Mount Bracket

SZ-020
(For $\phi 21.7\text{mm}$ Pole)

SZ-017
(For $\phi 21.7\text{mm}$ Pole)

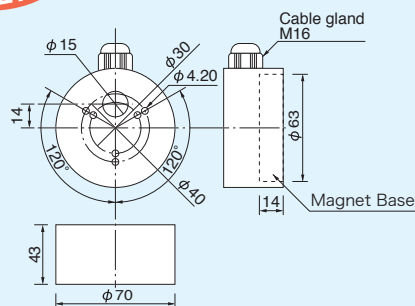


| Model | Material |
|-------------|-----------|
| SZ-60-U | ADC12 |
| SZ-60NPT | Aluminum |
| POLE-□□□S21 | Steel |
| POLE-□□□A21 | Aluminum |
| SZ-016A | ADC12 |
| SZ-70-B | ABS resin |
| SZ-020 | ABS resin |
| SZ-017 | ADC12 |

*ADC12...Aluminum alloy die-cast

Magnetic Bracket

SZ-MB5070 **To be released** **NEW**
(With M16 Cable Gland)



LU7 series

70mm diameter

Innovative LED Modular Style Signal Tower

LED Units



| Model | LU7-E-R | LU7-E-Y | LU7-E-G | LU7-E-B | LU7-E-C |
|-----------------------------|--|----------------|----------------|---------------|----------------------|
| Unit color | LED unit RED | LED unit AMBER | LED unit GREEN | LED unit BLUE | LED unit CLEAR/WHITE |
| Rated voltage | 24V DC | | | | |
| Operating voltage range | Rated voltage $\pm 10\%$ (21.6~26.4V) | | | | |
| Current/Power consumption | 52mA/1.25W | | 42mA/1.0W | | |
| Operating temperature range | $-30^{\circ}\text{C} \sim +60^{\circ}\text{C}$ | | | | |
| Mass | $60\text{g} \pm 10\%$ | | | | |

※ Operates with all voltage base units LU7-02, LU7-02FB, LU7-M2 and LU7-M2FB listed below.

Base Units

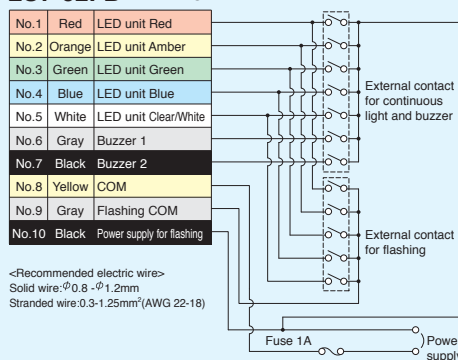
| Model | LU7-02S | LU7-02 | LU7-02FB | LU7-M2 | LU7-M2FB | Unit Color Variation |
|-----------------------------|--|----------------|--|--|----------------|----------------------|
| Rated voltage | 24V DC | | | 90~250V AC (50/60Hz) | | |
| Operating voltage range | Rated voltage $\pm 10\%$ (21.6~26.4V) | | | 90~250V AC (50/60Hz) | | |
| Buzzer | — | | *Buzzer 1 **Buzzer 2 | — | | |
| Current consumption | — | | 50 \pm 10mA : 24 \pm 10mA | — | | |
| Power consumption | — | | 1.2 \pm 0.25W : 0.58 \pm 0.25W | — | | |
| Sound level | — | | Max: 90 \pm 5dB (at 1m) Min: 70dB or Less (at 1m) | — | | |
| Flashing cycle | — | | 60 \pm 12 flashes per minute | — | | |
| Operating temperature range | $-30^{\circ}\text{C} \sim +60^{\circ}\text{C}$ | | | $-25^{\circ}\text{C} \sim +55^{\circ}\text{C}$ | | |
| Mounting direction | Upright, indoor only | | | Upright, indoor only | | |
| Protection rating | IP65 | | | IP65 | | |
| Mass | 150g \pm 10% | 250g \pm 10% | 280g \pm 10% | 310g \pm 10% | 340g \pm 10% | |
| Open Collector | PNP/NPN | | | NPN | | |

※ *Buzzer 1:Continuous sound

**Buzzer 2:Intermittent sound

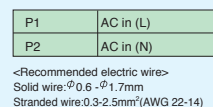
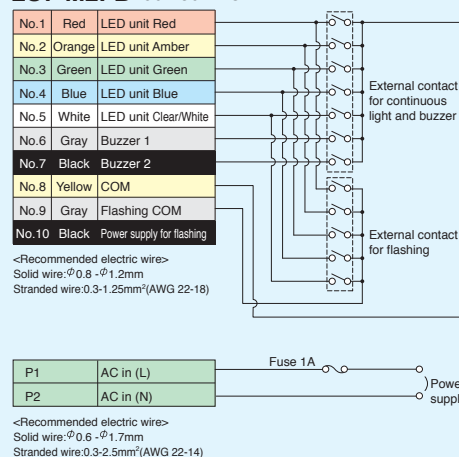
Wiring example for Base unit

LU7-02FB 24V DC



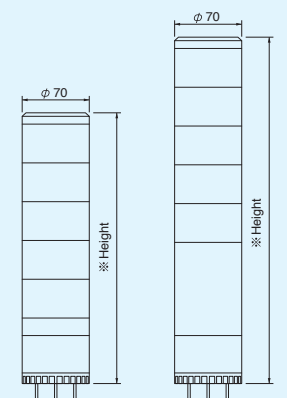
LU7-02FB

LU7-M2FB 90-250V AC



Dimensions

LU7-02S Short Body LU7 Standard Body



| | |
|-------------|---------------|
| ※Height(mm) | 1Light : 118 |
| | 2Lights : 159 |
| | 3Lights : 200 |
| | 4Lights : 241 |
| | 5Lights : 282 |

| | |
|-------------|---------------|
| ※Height(mm) | 1Light : 211 |
| | 2Lights : 252 |
| | 3Lights : 293 |
| | 4Lights : 334 |
| | 5Lights : 375 |

External contact capacity

| Voltage specs | | 24V DC | 90~250V AC |
|---------------|---------------------|---|--|
| LED unit | Current consumption | Red·Amber : 52mA | Green·Blue·Clear/White : 42mA |
| [1-Light] | Contact capacity | $I_s \geq 100\text{mA}$, $V_s \geq 35\text{V AC}$ | |
| Buzzer | Current consumption | 50mA | |
| | Inrush current | 100mA | |
| | Contact capacity | $I_s \geq 100\text{mA}$, $V_s \geq 35\text{V AC}$ | |
| Power supply | Current consumption | 360mA | 40mA (250V)~110mA (90V) |
| | Contact capacity | $I_s \geq 500\text{mA}$ $V_s \geq 35\text{V AC}$ | 9A (90V)~25A (250V) $V_s \geq 250\text{V AC}$ |

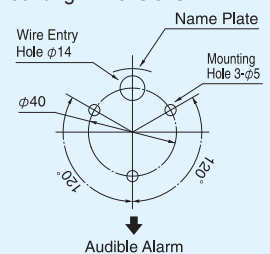
※ I_s : Current capacity V_s : Withstand voltage

External contact fuse

| Voltage | Amperage rating of fuse |
|-----------|-------------------------|
| All model | 250V 1A |

※ Use a fuse conforming to the rated current of the machine which you install product. (Example: UL class J type fuse)

Mounting Dimensions



Optional Parts

Upper Bracket

SZ-50NPT
(For 1/2" NPT Pole)

SZ-50-U
Ivory White

SZ-50-U
Silver Color

SZ-50K-U
Black

(For $\phi 21.7\text{mm}$ Pole)

Pole

Steel Pole

Aluminum Pole

800mm : **POLE-800S21**
300mm : **POLE-300S21**
100mm : **POLE-100S21**

800mm : **POLE-800A21**
300mm : **POLE-300A21**
100mm : **POLE-100A21**

Adaptor

SZ-904

Wall Mount Bracket

SZ-018
Ivory White

SZ-018U
Silver Color

SZ-018K
Black

SZ-020
(For $\phi 21.7\text{mm}$ Pole)

SZ-017
(For $\phi 21.7\text{mm}$ Pole)

Mount Bracket

SZ-016A
(For $\phi 21.7\text{mm}$ Pole)

SZ-70-B
(For $\phi 21.7\text{mm}$ Aluminum Pole Only)

Pre-assembled

SZ-50T

SZ-50L

| Model | Material | | | | |
|--------|---------------|-------|-----------|---------|------------------|
| | Upper Bracket | Pole | L Bracket | Bushing | Mounting Bracket |
| SZ-50T | ADC12 | Steel | — | — | ADC12 |
| SZ-50L | ADC12 | Steel | SPHC | EPT | — |

| Model | Material |
|-------------|-----------|
| SZ-50-U | ADC12 |
| SZ-50-U-U | ADC12 |
| SZ-50-K-U | ADC12 |
| SZ-50-NPT | Aluminum |
| POLE-□□□S21 | Steel |
| POLE-□□□A21 | Aluminum |
| SZ-016A | ADC12 |
| SZ-904 | Aluminum |
| SZ-70-B | ABS resin |
| SZ-017 | ADC12 |
| SZ-020 | ABS resin |

※ ADC12...Aluminum alloy die-cast SPHC...Hot rolled mild (sheet) steel EPT...Ethylene propylen rubber

Magnetic Bracket

SZ-MB5070 To be released **NEW**
(With M16 Cable Grand)

LU7 series

70mm diameter

Innovative LED Modular Style Signal Tower



IP65 Environment Protection

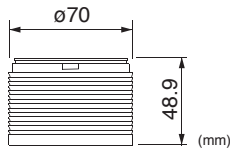
LED Strobe Module

Stackable LED strobe module saves energy and requires low maintenance.

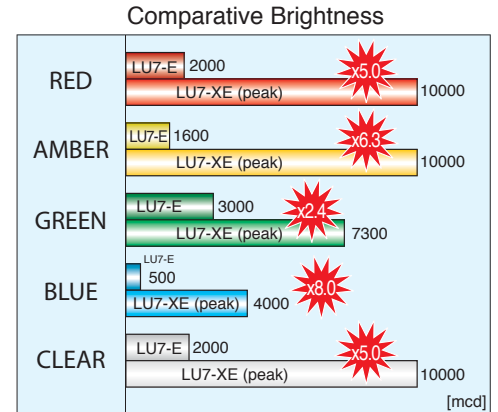
- LED strobe module for LU7 series tower.*1
- Double-flash for a visually stunning display.*2
- Super bright LEDs provide enhanced visibility and longer service life than conventional xenon strobe.
- LED module is stackable and reconfigurable even after installation.
- Colors available in Red, Yellow, Green, Blue and Clear.

*1 For use with the LU7-02 and LU7-02FB bases only.

*2 The Strobe Module's "double-flash" pattern is activated using the Continuous Common Terminal of the LU7-02 or LU7-02FB base.



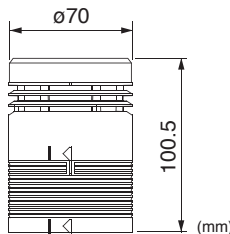
| Color | Model | Rated Voltage | Power Consumption | Mass |
|-------|----------|---------------|-------------------|--------|
| Red | LU7-XE-R | DC 24V | 290mA | 0.07kg |
| Amber | LU7-XE-Y | DC 24V | 290mA | 0.07kg |
| Green | LU7-XE-G | DC 24V | 140mA | 0.07kg |
| Blue | LU7-XE-B | DC 24V | 270mA | 0.07kg |
| Clear | LU7-XE-C | DC 24V | 280mA | 0.07kg |



Voice and Sound Module

Unique sound module in all directions

- Volume adjustable from 0dB to large output level of 80dB at 1m (alarm type).
- High quality MP3 supported voice and sound module replays up to 4 alarms or messages with 32 seconds of total program time.
- Playback sound selected by the position of internal jumper pin.
- CE / UL compliant.



Head cover is supplied with the base unit.

| Model | Type | Rated Voltage | Power Consumption | Weight |
|--------|-------------------|---------------|-------------------|--------|
| LU7-V1 | Voice Synthesizer | DC 24V | 3.5W | 0.17kg |



Stackable audible alarm

LU7-V1

↓

- Available for all LU7 base units.
- Easily mounted at the top of the light stack.

Selectable playback sound

· The jumper position determines the sound

PATLITE Corporation

8-8, Matsuyamachi, Chuo-ku, Osaka, Japan 542-0067 TEL.+81-6-6763-8220 FAX.+81-6-6763-8221

PATLITE (U.S.A.) Corporation
20130 S. Western Ave., Torrance, CA 90501, U.S.A. TEL.+1-310-328-3222 FAX.+1-310-328-2676

PATLITE Corporation/European Office
Teinfalt strasse 8/4.Stock 1010 Vienna, Austria TEL.+43-1-961-0655 FAX.+43-1-961-0655-210

PATLITE (SINGAPORE) PTE LTD
No.2 Leng Kee Road,#05-01 Thyee Hong Centre,Singapore 159086 TEL.+65-6226-1111 FAX.+65-6324-1411

PATLITE (CHINA) Corporation
Block E, No.9 FL, Hua Du Bldg., No.828-838 TEL.+86-21-68761533 FAX.+86-21-68769688
Zhang Yang Road, Pudong Dist., Shanghai 200122 China

ISO14001/ISO9001 Certified



Headquarters/Sanda Plant/Techno Center

CAUTION

To ensure correct use of these products, read the Instruction Manual prior to use. Failure to follow all safeguards can result in fire, electric shock, or other accidents. Specifications are subject to change without notice.

<http://www.patlite.co.jp/int/> E-mail: overseas@patlite.co.jp



For the benefit of mankind and the earth, Patlite is committed to developing environmentally friendly products.



1211A 0809J(J)/J(TS)A